

User Guide

Outdoor Siren | Ring Alarm

The Ring logo, consisting of the word "ring" in a lowercase, sans-serif font. The letter "i" has a small blue dot above it.

Welcome.

Before you install, you need to decide:

- How are you going to power your Outdoor Siren?
- Where are you going to mount it?

Power Options

You can choose one or more power sources.



3 x D Batteries

- Included with the Outdoor Siren
- Serves as a backup power supply if other power sources are added
- No accessories needed, but additional power source required to use Dusk to Dawn light setting



1 x Quick Release Battery Pack

- Sold separately
- Can be manually recharged or charged with a Ring Solar Panel, also sold separately.



Ring Solar Panel

- Sold separately
- Requires a Quick Release Battery Pack, also sold separately



Hardwired

- Advanced electrical skills required
- Supports 9-28V, 12W DC power input and 22-16AWG gauge wire



Hardwired with Plug-in Adapter (2nd gen)

- Sold separately
- Requires easy access to an electrical outlet
- Only connect to indoor outlets
- 10 foot cable

Where to install

The Outdoor Siren should be mounted on the outside of your home. Choose a place that meets these criteria:

Visibility

Your Outdoor Siren's LED lights and siren should be visible to anyone.

Safe access

You should install the Outdoor Siren in a spot where you can access the batteries safely. If you need to use a ladder, make sure there is solid ground below.

Close to your power source

If using the Plug-in adapter or hardwiring the Outdoor Siren, it should be close to an outlet or electrical wiring. If you're using the Solar Panel, make sure the spot gets good sunlight.



Before you begin

Note: Make sure your alarm system is set up and working in the Ring app before you install.

You'll need these tools:

- Ladder or sturdy platform
- Power drill with 7/32" (6mm) drill bit compatible with your exterior wall material
- #2 Phillips head screwdriver
- Mounting hardware included with the Outdoor Siren, including screws, anchors, and mounting bracket

Caution: When standing on a ladder, please use extra caution when performing these tasks to minimize the risk of falling.



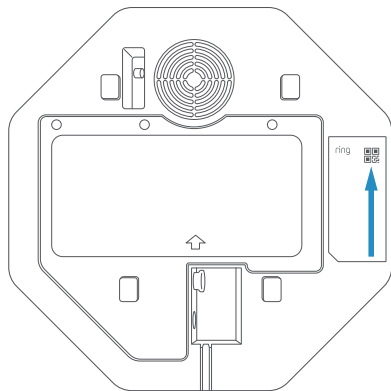
Setting up your Outdoor Siren

1. In app setup

Start by opening the Ring app and tap to open the menu.

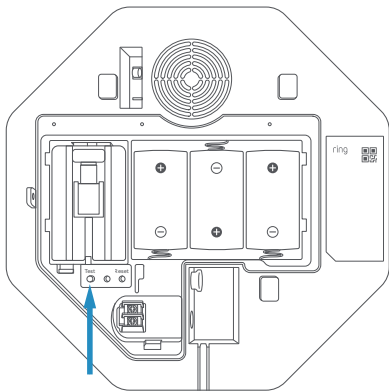
1. Tap **Set up a Device**.
2. Tap **Security**.
3. Tap **Sirens**.
4. Tap **Outdoor Siren**.
5. Follow the directions in the app.

To scan the QR code, you'll need to loosen the security screw on the bottom of the mounting bracket, then slide the bracket off of the Outdoor Siren. (The screw stays in the bracket.)



2. Complete a communications test

Before you begin installation, let's make sure the spot you've chosen will be able to communicate with your alarm system.

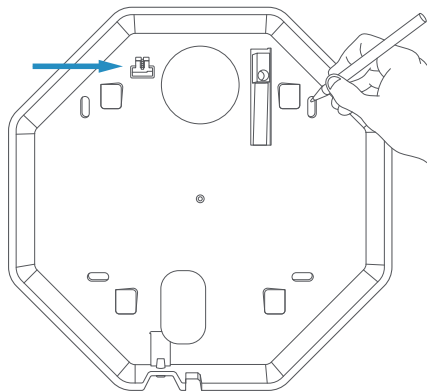


Press the Test button inside the battery compartment on the back of the Outdoor Siren. The LED lights on the front will flash — this may take up to 30 seconds.

- Green means the test is successful.
- Red means it failed. Try moving a Range Extender between the Outdoor Siren and the alarm system, or find a new wall or area to mount the Outdoor Siren, then test again.

3. Mount the Outdoor Siren bracket

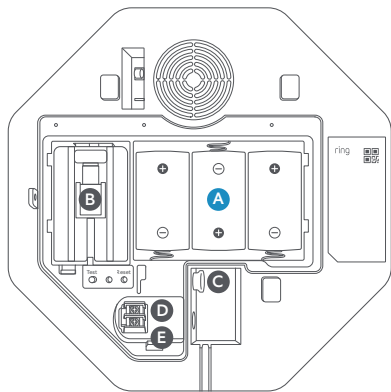
1. Hold the mounting bracket at the intended installation location and level it using the bubble level.



2. Mark your holes using the mounting bracket as a guide.
3. Drill holes using a 7/32" (6mm) drill bit, if using the included optional wall anchors.
4. If mounting on a softer exterior surface such as wood, you can drill the mounting screws directly into the wall surface.
5. Adjust the tamper arm screw to ensure that it makes contact with the mounting surface.

4. Connect your power sources

You can use one or multiple power sources to power your Outdoor Siren, and can set them up in any order. If you plan to use the Dusk to Dawn light setting, you must have more than one power source. Before you begin, make sure the battery cover is off, and after you finish connecting your power sources, put the battery cover back on. Use these directions for each power source.



A D Batteries (included)

- Pull the battery tab when prompted by the app.
- If you need to replace the batteries, match the + and - icons to install them correctly.

B Quick Release Battery Pack

- Carefully insert Quick Release Battery Pack, starting with the pin side first.

C Solar Panel

- Refer to the Solar Panel guide to learn how to install the Solar Panel.
- Remove the rubber stopper from the DC Jack on the back of the Outdoor Siren, then connect the Solar Panel to the Outdoor Siren.
- Add your Quick Release Battery Pack.

D Hardwired

The Outdoor Siren's hardwire terminal block supports 9–28V, 12W DC power input and 22–16AWG gauge wire.

- Do not apply DC power above or below 9–28V, 12W
- Do not apply AC power
- Do not use wire gauge above or below 22–16AWG

To install:

1. **WARNING:** Electrical shock hazard. Always turn off the Circuit Breaker for your Outdoor Siren before you begin working with electrical wiring.
2. Loosen the Outdoor Siren's positive and negative terminals with a Phillips head screwdriver.
3. Open the rubber cover and thread the wires through.
4. Connect the positive and negative wires and securely re-tighten the terminals.

Safety Note:

We recommend that you consult a licensed professional electrician if you are not experienced with hardwiring projects. Please use extra caution when using a ladder to minimize the risk of fall.

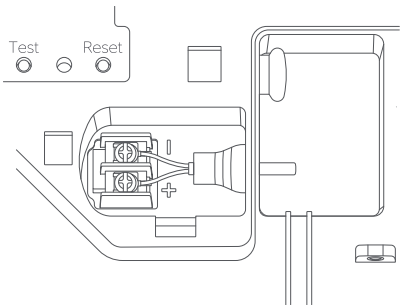
E Plug-in Adapter 2nd Gen

The Outdoor Siren's hardware terminal block supports the Ring Plug-in Adapter 2nd Gen.

- Ensure an indoor power outlet is within range and the power cable can be ran to the Outdoor Siren.
- Not intended to be plugged into an outlet outside.

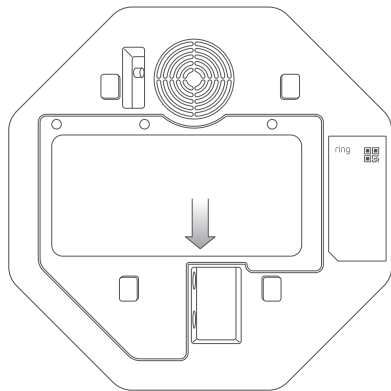
To install:

1. Loosen the Outdoor Siren's positive and negative terminals with a Phillips head screwdriver.
2. Open the rubber cover and thread the wires through.



3. Connect the positive and negative spade connectors and securely re-tighten the terminals.
4. Plug the adapter into your indoor outlet.

When you finish connecting your power sources, replace the back cover and tighten the screws. Then attach the Outdoor Siren to the mounting bracket. Tighten the security screw on the bottom of the bracket.



5. Testing your Outdoor Siren

When the app prompts you, test your new Outdoor Siren.

CAUTION. This product contains a loud siren (about 100 dB). Do not stand near the siren when sounding. Exposure at close range may be harmful to your hearing. Wear hearing protection when testing the alarm.

This product also contains bright flashing lights. Do not look directly at the light source. Flashing lights may cause dizziness. Use caution when testing or installing the product while standing on a ladder or step stool.

WARNING. Strobe lights may trigger seizures in people with photosensitive epilepsy. Do not install, test, or operate this product if you have epilepsy or sensitivity to flashing light.

Adjusting Siren Settings

Using the Ring app, you can adjust the Outdoor Siren LED and audio settings to meet your preferences and comply with local laws.

To download this manual, visit ring.com/alarm-manual

For technical Z-Wave information, visit ring.com/z-wave

©2021 Ring LLC or its affiliates.

Ring and all related marks are trademarks of Ring LLC or its affiliates.